



The New Standard  
in uPVC Sash Windows

CE  
Marked

Toughened  
Glass  
FREE As Standard

**A**  
Rated  
FREE As Standard

A Rated  
**FREE AS STANDARD**

Toughened Glass  
**FREE AS STANDARD**

Decorative Sash Horns  
**FREE AS STANDARD**

Travel Restrictors  
**FREE AS STANDARD**

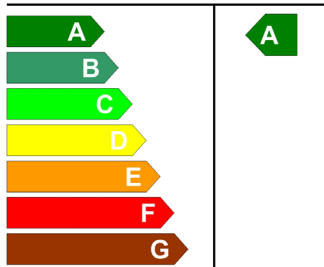
Full Range of  
Colours & Renolit Foils

Fully Featured  
Sculptured Profiles

Georgian & Astragal  
Bar Options

### Energy Window

PVC-U Vertical Slider  
Eco Slide Sash Window A+1



**A**

Energy Index (kWh/m<sup>2</sup>/year)  
(Energy Index certified by BFRC and based on UK standard window. The actual energy consumption for a specific application will depend on the building, the local climate and the indoor temperature)

**1**

The climate zone is:

**UK**

Thermal Transmittance (U<sub>window</sub>) 1.5 W/m<sup>2</sup>.K  
Solar Factor (g<sub>window</sub>) 0.49  
Effective Air Leakage (L<sub>factor</sub>) 0.00 W/m<sup>2</sup>.K

**A**  
Rated  
FREE As Standard



Reg. No.: 4365 M365  
[www.bfrc.org](http://www.bfrc.org)

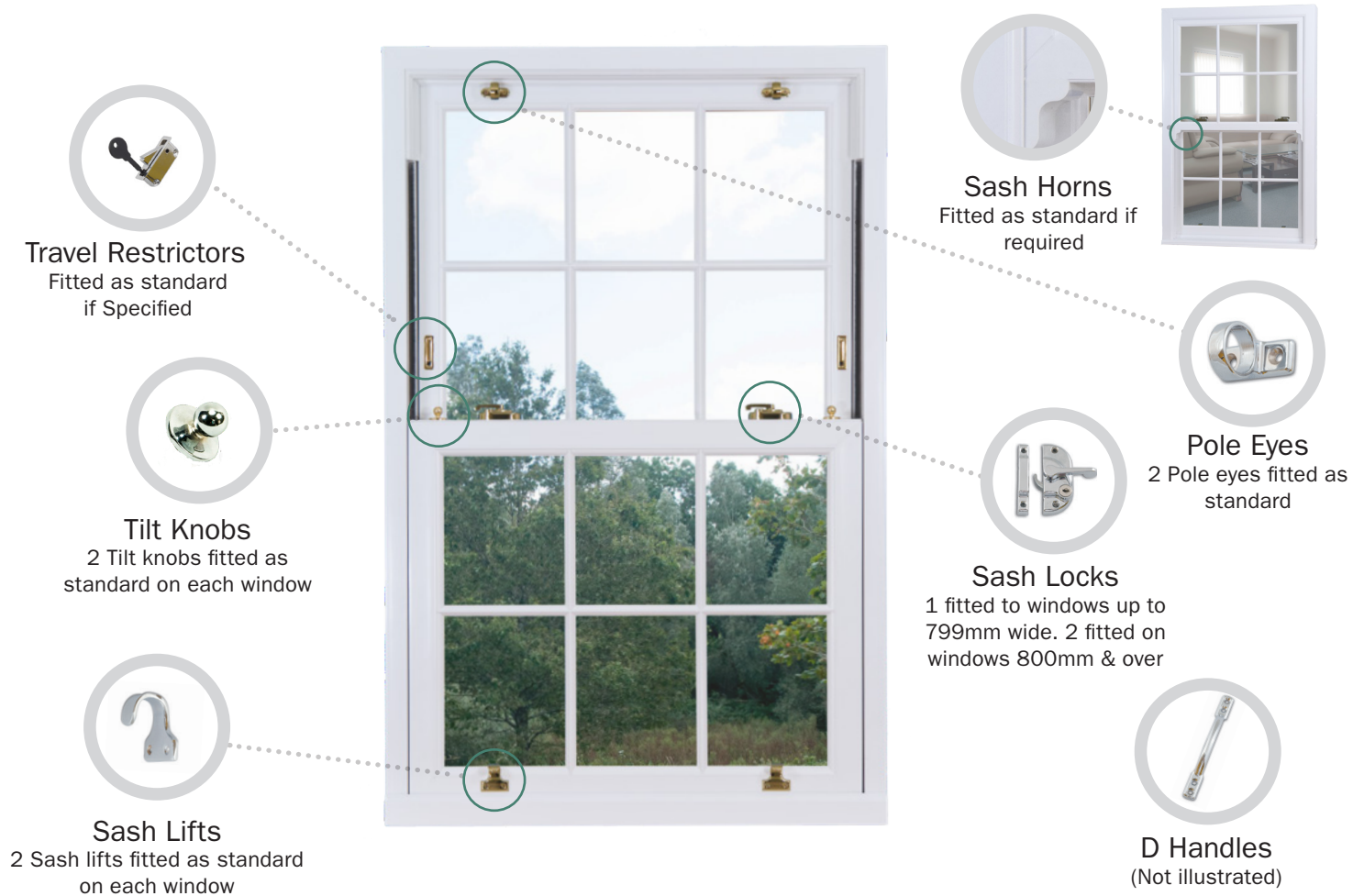
This label is not a statutory requirement. It is a voluntary label provided as a customer service to allow consumers to make informed decisions on the energy performance of competing products.

**EcoSlide**  
**uPVC**  
**SASH WINDOWS**

# EcoSlide Styles & Options

EcoSlide uPVC sash windows are available in a variety of styles and hardware options. An extensive range of Georgian and Astragal bars will satisfy most custom requirements. Sash horns help replicate the original timber sashes and are fitted free as standard, if required.

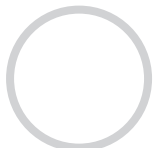
Transom drops can be specified to any custom measurement e.g 60/40, 70/30 in addition to the natural 50/50 split. EcoSlide windows can also be specified coupled together, in splay bays and 90 degree bays, with factory fitted bay poles and capping.



## Colour & Foil Options

EcoSlide uPVC sash windows are available in a variety of colour options. We have 2 solid profile colour options, white and cream, 4 Renolit foil inside and outside options and 6 Renolit foil outside and white inside options.

### Solid Colours



White



Cream

### Foil Inside & Outside



Crystal White Ash  
9294 05 - 117900



Cream  
1379 05-116700



Golden Oak  
9.2178 001-116700



Irish Oak  
9.3211 005-114800

### Foil Outside & White Inside



Chartwell Green  
49246-101100



Rosewood  
9.3202 001-116700



Black Brown  
8518 05-116700



Cream  
1379 05-116700



Golden Oak  
9.2178 001-116700



Irish Oak  
9.3211 005-114800

Special Orders: We can also spray to any RAL colour, and foil to any other Renolit specification. Longer lead times will apply.

# Designed, Extruded & Fabricated In The UK - Specifically For the UK Climate



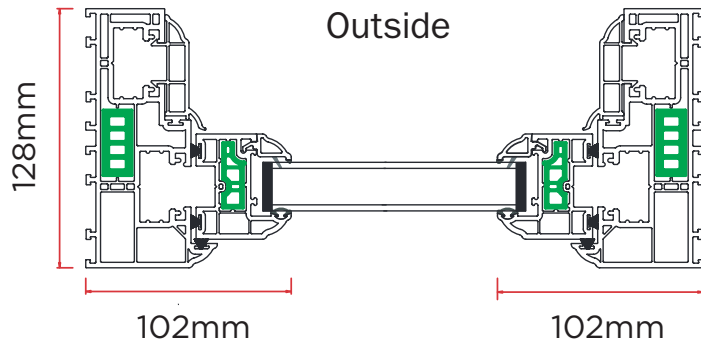
EcoSlide uPVC sash windows are designed, extruded and fabricated in the UK specifically for the UK climate. Our production facilities have the capacity to manufacture over 1500 sash windows a week. Since production of EcoSlide sash windows began in 2009, nearly 100,000 sash windows have already been installed across Britain.

Every EcoSlide uPVC sash window is manufactured at our purpose designed state of the art factory in Swansea, South Wales, to fit and perform flawlessly.

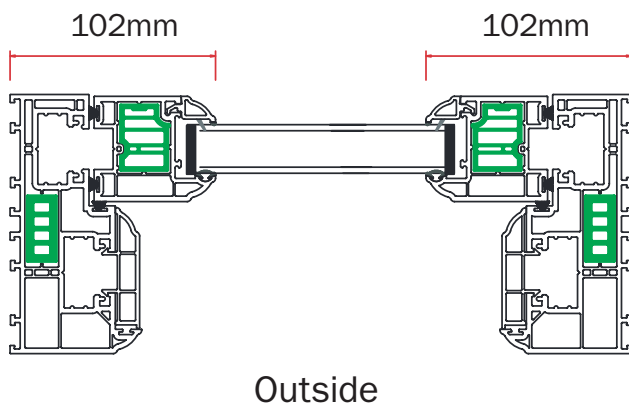
Our profile is extruded in our own UK factory from a 100% virgin, lead free compound. The bright white high gloss profile is manufactured in accordance with current British quality standards.

## EcoSlide Profile Sections

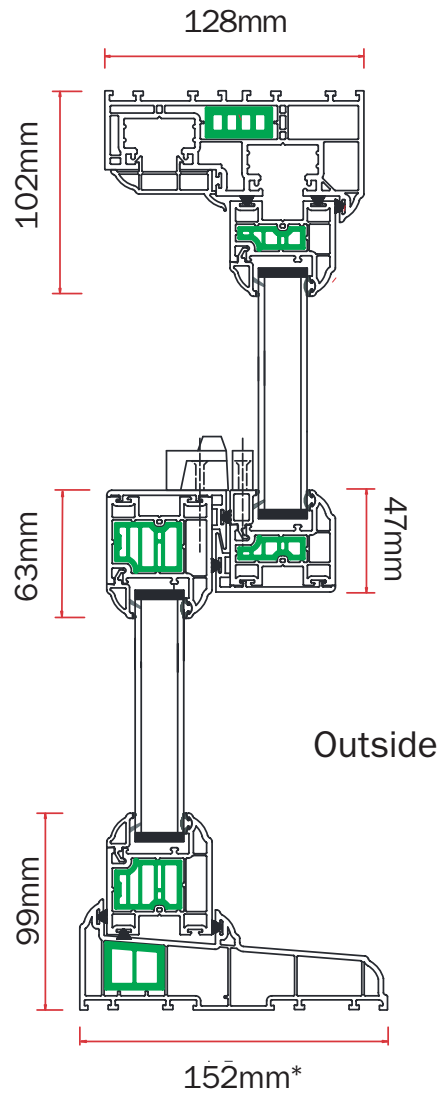
Horizontal Section Through Top Sash



Horizontal Section Through Bottom Sash



Vertical Section Through Sash



Energy Window	
PVC-U Vertical Slider Eco Slide Sash Window A+1	
<b>A</b>	<b>A</b>
B	
C	
D	
E	
F	
G	
Energy Index (kWh/m <sup>2</sup> /year)	1
Thermal Transmittance (U <sub>frame</sub> )	1.5 W/m <sup>2</sup> ·K
Order Factor (U <sub>order</sub> )	0.68
Effective Air Leakage (L <sub>air</sub> )	0.08 W/m <sup>2</sup> ·K
The climate zone is: <b>UK</b>	
Reg. No.: 4365 M365	
www.bfrc.org	

\*Cill Options

- 152mm
- 185mm
- 225mm



Thermal inserts (coloured green) manufactured from 100% recycled uPVC

# EcoSlide Vertical Slider Quotation Form

Please complete all sections below (please tick boxes required)

Company \_\_\_\_\_

Contact Name \_\_\_\_\_

Delivery Address \_\_\_\_\_

\_\_\_\_\_

Postcode \_\_\_\_\_

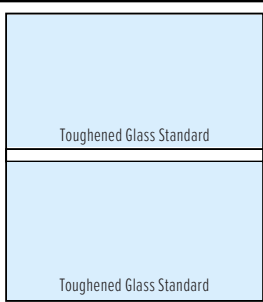

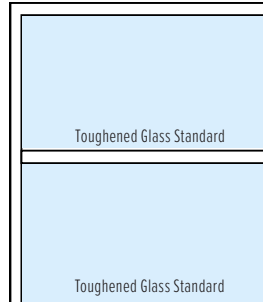
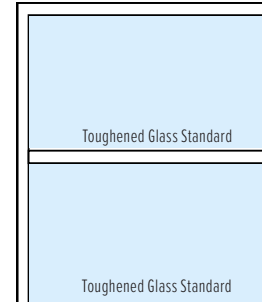
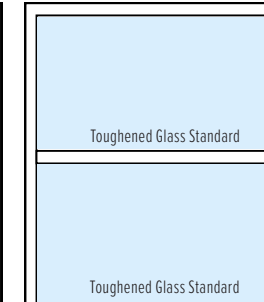
Date \_\_\_\_\_

Telephone Number \_\_\_\_\_

Your Reference \_\_\_\_\_ This Is Sheet  Of

Date Required - Week Commencing \_\_\_\_\_

Email \_\_\_\_\_

Window 1	Window 2	Window 3	Window 4	Window 5
Width mm <input type="text"/> <input type="text"/> <input type="text"/> <input type="text"/>	Width mm <input type="text"/> <input type="text"/> <input type="text"/> <input type="text"/>	Width mm <input type="text"/> <input type="text"/> <input type="text"/> <input type="text"/>	Width mm <input type="text"/> <input type="text"/> <input type="text"/> <input type="text"/>	Width mm <input type="text"/> <input type="text"/> <input type="text"/> <input type="text"/>
Height mm <input type="text"/> <input type="text"/> <input type="text"/> <input type="text"/>	Height mm <input type="text"/> <input type="text"/> <input type="text"/> <input type="text"/>	Height mm <input type="text"/> <input type="text"/> <input type="text"/> <input type="text"/>	Height mm <input type="text"/> <input type="text"/> <input type="text"/> <input type="text"/>	Height mm <input type="text"/> <input type="text"/> <input type="text"/> <input type="text"/>
Transom Drop: _____	Transom Drop: _____	Transom Drop: _____	Transom Drop: _____	Transom Drop: _____
Quantity: _____	Quantity: _____	Quantity: _____	Quantity: _____	Quantity: _____
Cill Horns: Yes <input type="checkbox"/> No <input type="checkbox"/> _____mm	Cill Horns: Yes <input type="checkbox"/> No <input type="checkbox"/> _____mm	Cill Horns: Yes <input type="checkbox"/> No <input type="checkbox"/> _____mm	Cill Horns: Yes <input type="checkbox"/> No <input type="checkbox"/> _____mm	Cill Horns: Yes <input type="checkbox"/> No <input type="checkbox"/> _____mm
Cill: 152mm <input type="checkbox"/> 185mm <input type="checkbox"/> 225mm <input type="checkbox"/>	Cill: 152mm <input type="checkbox"/> 185mm <input type="checkbox"/> 225mm <input type="checkbox"/>	Cill: 152mm <input type="checkbox"/> 185mm <input type="checkbox"/> 225mm <input type="checkbox"/>	Cill: 152mm <input type="checkbox"/> 185mm <input type="checkbox"/> 225mm <input type="checkbox"/>	Cill: 152mm <input type="checkbox"/> 185mm <input type="checkbox"/> 225mm <input type="checkbox"/>
Add Ons (20mm): None <input type="checkbox"/> Head <input type="checkbox"/>	Add Ons (20mm): None <input type="checkbox"/> Head <input type="checkbox"/>	Add Ons (20mm): None <input type="checkbox"/> Head <input type="checkbox"/>	Add Ons (20mm): None <input type="checkbox"/> Head <input type="checkbox"/>	Add Ons (20mm): None <input type="checkbox"/> Head <input type="checkbox"/>
Cill <input type="checkbox"/> LHS Jamb <input type="checkbox"/> RHS Jamb <input type="checkbox"/>	Cill <input type="checkbox"/> LHS Jamb <input type="checkbox"/> RHS Jamb <input type="checkbox"/>	Cill <input type="checkbox"/> LHS Jamb <input type="checkbox"/> RHS Jamb <input type="checkbox"/>	Cill <input type="checkbox"/> LHS Jamb <input type="checkbox"/> RHS Jamb <input type="checkbox"/>	Cill <input type="checkbox"/> LHS Jamb <input type="checkbox"/> RHS Jamb <input type="checkbox"/>
Trickle Vent Required: No <input type="checkbox"/>	Trickle Vent Required: No <input type="checkbox"/>	Trickle Vent Required: No <input type="checkbox"/>	Trickle Vent Required: No <input type="checkbox"/>	Trickle Vent Required: No <input type="checkbox"/>
Yes <input type="checkbox"/> If Yes: Head <input type="checkbox"/> Sash <input type="checkbox"/>	Yes <input type="checkbox"/> If Yes: Head <input type="checkbox"/> Sash <input type="checkbox"/>	Yes <input type="checkbox"/> If Yes: Head <input type="checkbox"/> Sash <input type="checkbox"/>	Yes <input type="checkbox"/> If Yes: Head <input type="checkbox"/> Sash <input type="checkbox"/>	Yes <input type="checkbox"/> If Yes: Head <input type="checkbox"/> Sash <input type="checkbox"/>
Sash horns Required: Yes <input type="checkbox"/> No <input type="checkbox"/>	Sash horns Required: Yes <input type="checkbox"/> No <input type="checkbox"/>	Sash horns Required: Yes <input type="checkbox"/> No <input type="checkbox"/>	Sash horns Required: Yes <input type="checkbox"/> No <input type="checkbox"/>	Sash horns Required: Yes <input type="checkbox"/> No <input type="checkbox"/>
Furniture Colour: White <input type="checkbox"/>	Furniture Colour: White <input type="checkbox"/>	Furniture Colour: White <input type="checkbox"/>	Furniture Colour: White <input type="checkbox"/>	Furniture Colour: White <input type="checkbox"/>
Chrome <input type="checkbox"/> Gold <input type="checkbox"/> Satin <input type="checkbox"/>	Chrome <input type="checkbox"/> Gold <input type="checkbox"/> Satin <input type="checkbox"/>	Chrome <input type="checkbox"/> Gold <input type="checkbox"/> Satin <input type="checkbox"/>	Chrome <input type="checkbox"/> Gold <input type="checkbox"/> Satin <input type="checkbox"/>	Chrome <input type="checkbox"/> Gold <input type="checkbox"/> Satin <input type="checkbox"/>
Travel Restrictors: Yes <input type="checkbox"/> No <input type="checkbox"/>	Travel Restrictors: Yes <input type="checkbox"/> No <input type="checkbox"/>	Travel Restrictors: Yes <input type="checkbox"/> No <input type="checkbox"/>	Travel Restrictors: Yes <input type="checkbox"/> No <input type="checkbox"/>	Travel Restrictors: Yes <input type="checkbox"/> No <input type="checkbox"/>
Pole Eyes: Yes <input type="checkbox"/> No <input type="checkbox"/>	Pole Eyes: Yes <input type="checkbox"/> No <input type="checkbox"/>	Pole Eyes: Yes <input type="checkbox"/> No <input type="checkbox"/>	Pole Eyes: Yes <input type="checkbox"/> No <input type="checkbox"/>	Pole Eyes: Yes <input type="checkbox"/> No <input type="checkbox"/>
D Handle: Yes <input type="checkbox"/> No <input type="checkbox"/>	D Handle: Yes <input type="checkbox"/> No <input type="checkbox"/>	D Handle: Yes <input type="checkbox"/> No <input type="checkbox"/>	D Handle: Yes <input type="checkbox"/> No <input type="checkbox"/>	D Handle: Yes <input type="checkbox"/> No <input type="checkbox"/>
Sash Lifts: Yes <input type="checkbox"/> No <input type="checkbox"/>	Sash Lifts: Yes <input type="checkbox"/> No <input type="checkbox"/>	Sash Lifts: Yes <input type="checkbox"/> No <input type="checkbox"/>	Sash Lifts: Yes <input type="checkbox"/> No <input type="checkbox"/>	Sash Lifts: Yes <input type="checkbox"/> No <input type="checkbox"/>
If required, sketch bars below Int' Georgian <input type="checkbox"/> Ext' Astragal <input type="checkbox"/>	If required, sketch bars below Int' Georgian <input type="checkbox"/> Ext' Astragal <input type="checkbox"/>	If required, sketch bars below Int' Georgian <input type="checkbox"/> Ext' Astragal <input type="checkbox"/>	If required, sketch bars below Int' Georgian <input type="checkbox"/> Ext' Astragal <input type="checkbox"/>	If required, sketch bars below Int' Georgian <input type="checkbox"/> Ext' Astragal <input type="checkbox"/>
				
Pattern Glass Style If Required: _____	Pattern Glass Style If Required: _____	Pattern Glass Style If Required: _____	Pattern Glass Style If Required: _____	Pattern Glass Style If Required: _____

**Please Specify Colour / Foil Finish Required:**

Profile Colour	Foil In & Out	Foil on White
Standard White <input type="checkbox"/>	Crystal White Ash <input type="checkbox"/>	Rosewood <input type="checkbox"/> Cream <input type="checkbox"/>
Standard Cream <input type="checkbox"/>	Cream <input type="checkbox"/>	Black Brown <input type="checkbox"/> Irish Oak <input type="checkbox"/>
	Irish Oak <input type="checkbox"/>	Chartwell Green <input type="checkbox"/>
	Golden Oak <input type="checkbox"/>	Golden Oak <input type="checkbox"/>

**Special Instructions**

e.g Bay Layouts